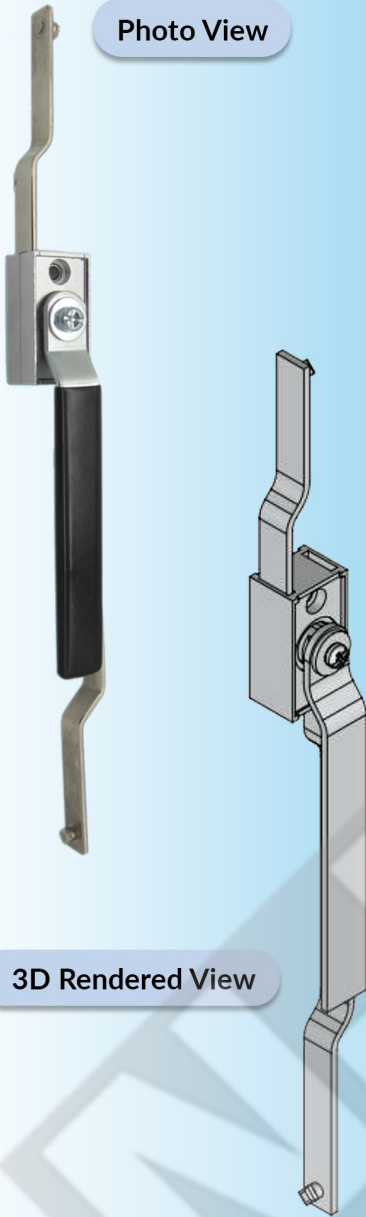


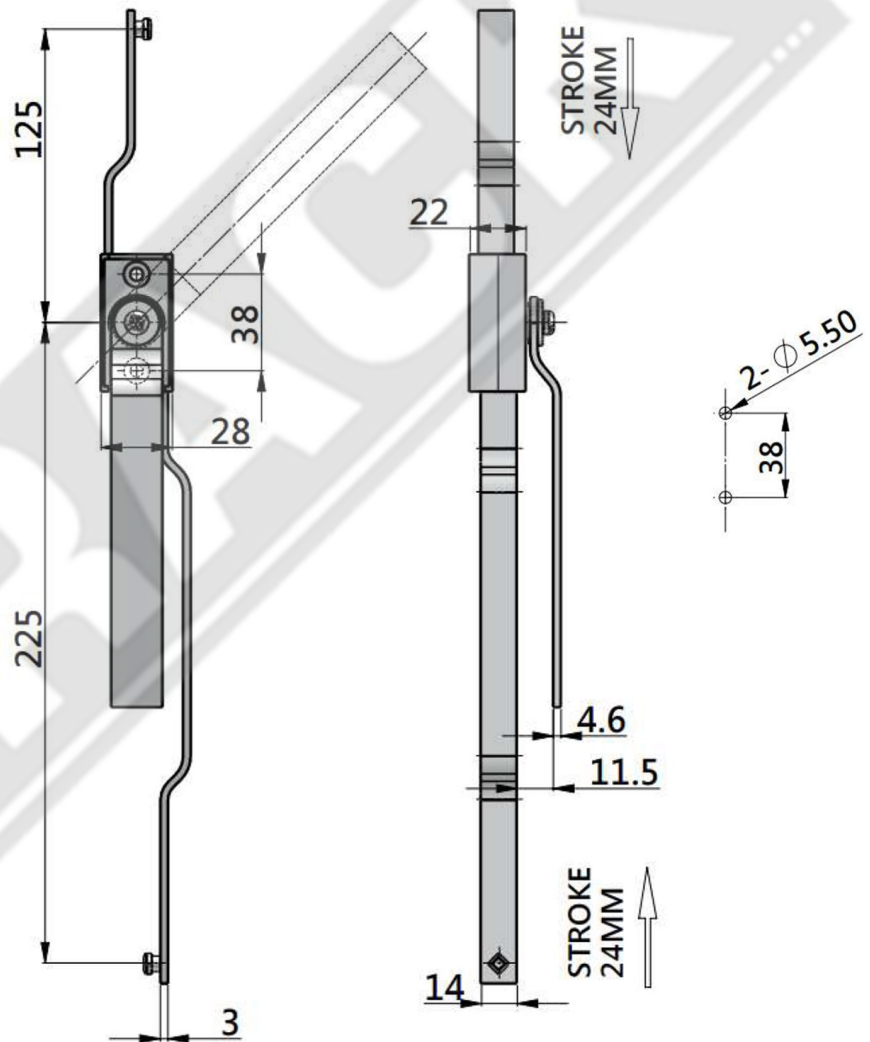
For Product Step File or 3D Model Send a Request Mail To info@nrack.com



Photo View



3D Rendered View



MS 102C-2

- Material: Zinc die-casting Rod box, steel handle with plastic cover
- Finish: Sandblasting bright chrome plating